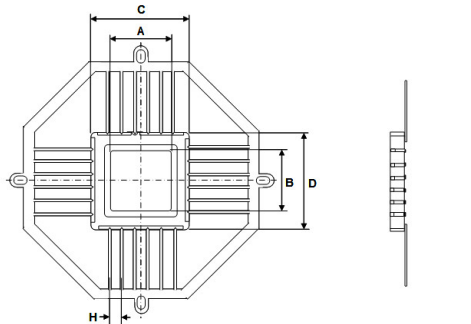


CERAMIC QUAD FLAT PACKAGES



LEAD COUNT	CAVITY		OVERALL C x D	LAYER THICKNESS				LEAD PITCH H	KYOCERA CERAMIC MATERIAL CODE A440: Black A473: White	CONNECTION		DRAWING NUMBER
	DIE CAVITY A x B	W/B TIER SINGLE(S) DOUBLE(D)		1ST	2ND	3RD	TOTAL			SEAL RING	DIE ATTACH	
24	5.00SQ	S	10.16SQ	0,51	0,38	-	1,27	1,27	A473	0	0	KD-84526-A
24	5.97SQ	S	10.16SQ	0,51	0,76	-	1,65	1,27	A440	0	0	PB-F85444
24	6.20SQ	S	10.16SQ	0,51	0,76	-	1,78	1,27	A473	0	0	KD-79613-A
32	6.35SQ	S	10.67SQ	0,38	0,38	-	1,27	1,02	A440	0	0	PB-F87012
44	7.62SQ	S	16.51SQ	0,51	0,51	-	1,65	1,27	A440	0	0	PB-12941-C
48	7.11SQ	S	19.05MAX SQ	0,51	0,64	-	2,16	1,27	A440	0	0	KD-F86943
48	7.62SQ	S	19.05MAX SQ	0,58	0,51	-	2.44MAX	1,27	A440	0	0	KD-F86889
48	8.89SQ	S	14.22SQ	0,76	0,38	-	1,65	1,02	A440	0	0	PB-F86321
64	6.35SQ	S	17.78SQ	0,51	0,51	-	1,52	1,02	A440	0	0	PB-F86053
64	7.62SQ	S	22.86SQ	0,51	0,51	-	1,52	1,27	A473	0	0	KD-81281
64	8.13SQ	S	17.78SQ	0,51	0,51	-	1,52	1,02	A440	0	0	PB-23866
64	10.16SQ	S	22.86SQ	0,51	0,51	-	2,03	1,27	A473	0	0	KD-F87714
64	12.70SQ	S	22.86SQ	0,51	0,51	-	1,52	1,27	A473	0	0	KD-F85417-A
68	8.89SQ	S	24.13SQ	0,51	0,64	-	2,16	1,27	A440	0	0	PB-F86113-A
76	7.62SQ	S	26.67SQ	0,42	0,42	-	1,26	1,27	A473	14	54	KD-F85955-B

Unit: mm

N = No metallization, 0 = No connection

CERAMIC QUAD FLAT PACKAGES

LEAD COUNT	CAVITY		OVERALL C x D	LAYER THICKNESS				LEAD PITCH H	KYOCERA CERAMIC MATERIAL CODE A440: Black A473: White	CONNECTION		DRAWING NUMBER
	DIE CAVITY A x B	W/B TIER SINGLE(S) DOUBLE(D)		1ST	2ND	3RD	TOTAL			SEAL RING	DIE ATTACH	
84	9.80SQ	S	29.49SQ	0,51	0,51	-	1,52	1,27	A473	0	0	KD-F88477-A
84	9.91SQ	S	29.21SQ	0,51	0,51	-	2,03	1,27	A440	0	0	PB-F85642
84	11.94SQ	S	29.21SQ	0,51	0,51	-	2,03	1,27	A440	0	0	PB-44795
100	9.02SQ	S	19.05SQ	0,51	0,51	-	1,65	0,64	A440	0	0	PB-F95084
132	10.16SQ	S	24.13SQ	0,64	0,51	-	1,91	0,64	A440	0	0	PB-F86099-A
132	11.43SQ	S	24.13SQ	0,64	0,51	-	1,91	0,64	A440	0	0	PB-F86259-A
172	12.19SQ	D	29.21SQ	0,51	0,38	0,51	2,29	0,64	A440	0	0	PB-F87269-A
196	11.81SQ	D	34.29SQ	0,25	0,25	0,64	2,03	0,64	A440	N	27, 72, 76, 124, 170, 174	PB-F85221-C

Unit: mm

N = No metallization, 0 = No connection